



Numbering heads

Technical data sheet

ANPW – Automatic numbering head

- The numbering switch effects after every marking stroke.
- Font height from 1 to 8 mm



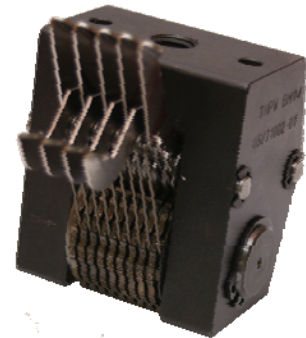
VNPW – Manual adjustable numbering head

- The adjustment of the wheels is manually through releasing the levers.
- The levers lock the wheel in the chosen position.
- Font height from 1 to 8 mm



TNPW – Manual adjustable key numbering head

- The adjustment of the wheels effects manually through pressing the key-levers.
- Font height from 1 to 8 mm



MNPW – Manual adjustable numbering head

- Small, light and manual adjustable numbering head
- Specially suitable for hand stamping tools
- The bolt locks the wheels in the desired position.
- Font height from 1 to 4 mm





Application area

BORRIES numbering heads were used to mark consecutive numbering, serial or model-number on all materials like steel, cast iron, aluminium, plastic etc. The application area ranges from the single production up to the integration in automatic production or transfer lines.

The numbering heads can be combined to each other and extended with type holders and steel types. Besides numbers, letters or special engravings are also available.

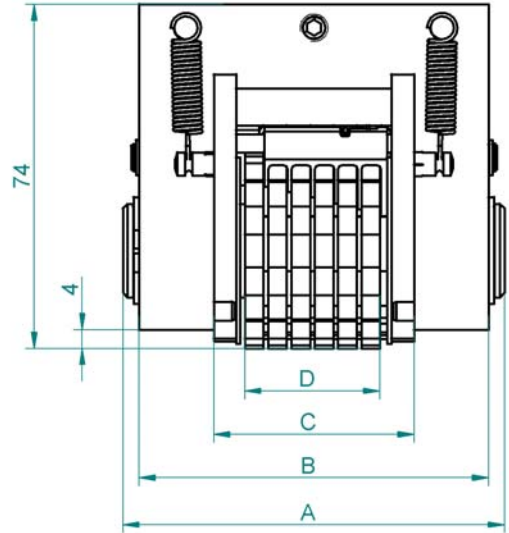
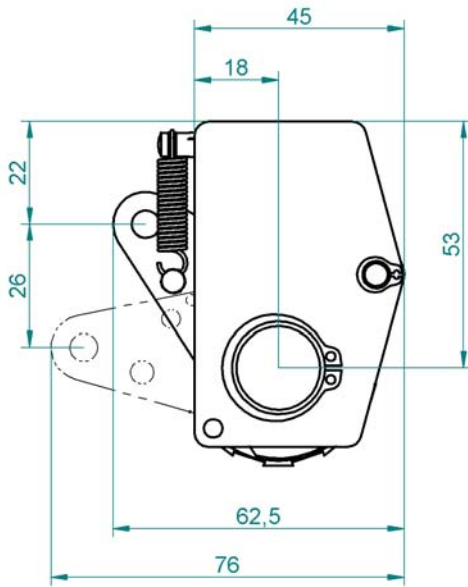
All Borries products are assembled with the highest precision and quality standard. It guarantees a long life time and a high stability.

Options

Besides the Borries standard products we also deliver any possible special design like for example numbering heads with:

- font heights higher than 8 mm,
- multiple or special changes,
- concav or convex engravings,
- special engravings,
- special executions, pneumatic, electric controlled up to position check,
- special circuits,
- built-on type holders,
- special switchgears,
- initiator-monitor,
- pneumatic switchgear,
- nickel-plated, coated marking wheels,
- hot marking units etc.

ANPW



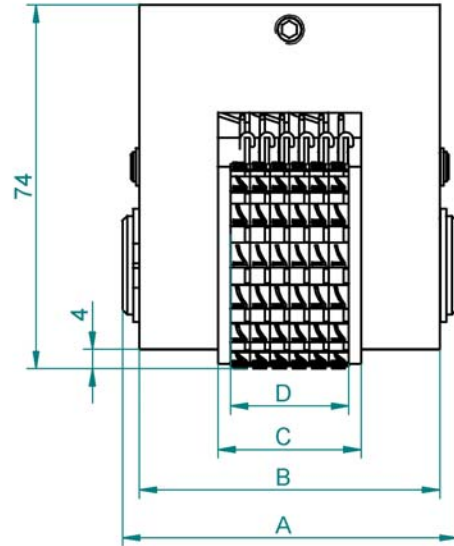
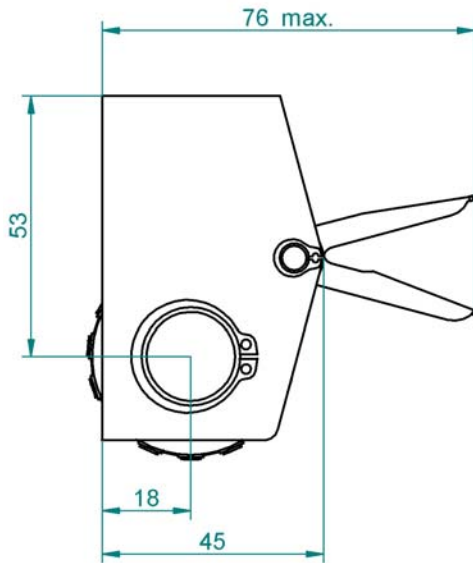
Cage	No. 1	No. 2	No. 3	No. 4	No. 5	No. 6
Dimension A	62	68	75	82	92	105
Dimension B	55	61	68	75	85	98
Dimension C	23	29	36	43	53	66

Dimension of the cage C = marking width D + (≥) 10 mm

	Medium-spaced lettering standard								Semi closed-spaced lettering								close-spaced lettering								Number of marking wheels
	10 division								10 division								10 division								
Font height	1-1.5	2	2.5	3	4	5	6	8	2	2.5	3	4	5	6	8	2	2.5	3	4	5	6	8			
Dimension D = marking width	3.7	5	6	7	9	11	13	17	3.7	5	6	7	9	11	13	3.7	3.7	5	6	7	9	11	2		
	5.9	8	9.5	11	14	17	20	26	5.9	8	9.5	11	14	17	20	5.9	5.9	8	9.5	11	14	17	3		
	8.1	11	13	15	19	23	27	35	8.1	11	13	15	19	23	27	8.1	8.1	11	13	15	19	23	4		
	10.3	14	16.5	19	24	29	34	44	10.3	14	16.5	19	24	29	34	10.3	10.3	14	16.5	19	24	29	5		
	12.5	17	20	23	29	35	41	53	12.5	17	20	23	29	35	41	12.5	12.5	17	20	23	29	35	6		
	14.7	20	23.5	27	34	41	48	14.7	20	23.5	27	34	41	48	14.7	14.7	20	23.5	27	34	41	7			
	16.9	23	27	31	39	47	16.9	23	27	31	39	47	16.9	16.9	23	27	31	39	47	8					
	19.1	26	30.5	35	44	53	19.1	26	30.5	35	44	53	19.1	19.1	26	30.5	35	44	53	9					
21.3	29	34	39	49	21.3	29	34	39	49	21.3	29	34	39	49	21.3	21.3	29	34	39	49	10				

Example: A font height of 4 mm in medium-spaced lettering with 5 characters results in a marking width D of 24 mm and therefore cage number 3 must be chosen. (grey highlighted)

VNPW



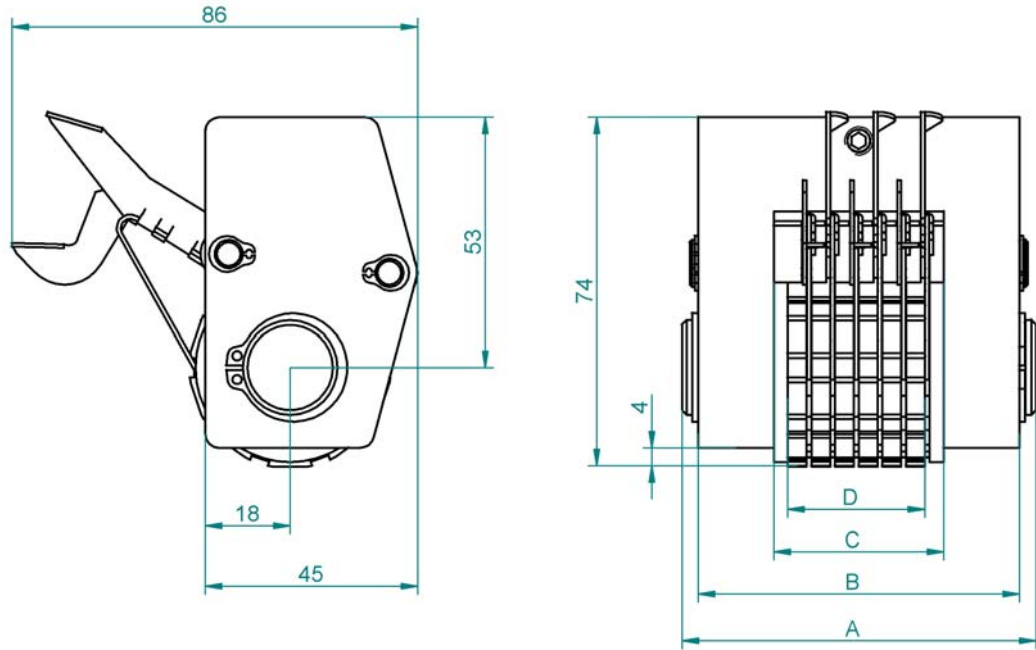
Cage	No. 1	No. 2	No. 3	No. 4	No. 5	No. 6
Dimension A	62	68	75	82	92	105
Dimension B	55	61	68	75	85	98
Dimension C	23	29	36	43	53	66

Dimension of the cage C = marking width D + (≥) 2 mm

	Medium-spaced lettering standard								Semi closed-spaced lettering								close-spaced lettering								Number of marking wheels					
	15 division				13	11			15 division				13	11			15 division				13	11								
Font height	1-1.5	2	2.5	3	4	5	6	8	2	2.5	3	4	5	6	8	2	2.5	3	4	5	6	8	2	2.5	3	4	5	6	8	
Dimension D = marking width	3	4	5	6	8	11	13	15	3	4	5	6	8	9	13	3	3	4	5	7	8	11	2							
	4.5	6	7.5	9	12	17	20	23	4.5	6	7.5	9	12.5	14	20	4.5	4.5	6	7.5	11	12.5	17	3							
	6	8	10	12	16	23	27	31	6	8	10	12	17	19	27	6	6	8	10	15	17	23	4							
	7.5	10	12.5	15	20	29	34	39	7.5	10	12.5	15	21.5	24	34	7.5	7.5	10	12.5	19	21.5	29	5							
	9	12	15	18	24	35	41	47	9	12	15	18	26	29	41	9	9	12	15	23	26	35	6							
	10.5	14	17.5	21	28	41	48	55	10.5	14	17.5	21	30.5	34	48	10.5	10.5	14	17.5	27	30.5	41	7							
	12	16	20	24	32	47	55	63	12	16	20	24	35	39	55	12	12	16	20	31	35	47	8							
	13.5	18	22.5	27	36	53	62	13.5	18	22.5	27	39.5	44	62	13.5	13.5	18	22.5	35	39.5	53	9								
15	20	25	30	40	59	15	20	25	30	44	49	15	15	20	25	39	44	59	10											

Example: A font height of 3 mm in medium-spaced lettering with 5 characters results in a marking width D of 15 mm and therefore cage number 1 must be chosen. (grey highlighted)

TNPW



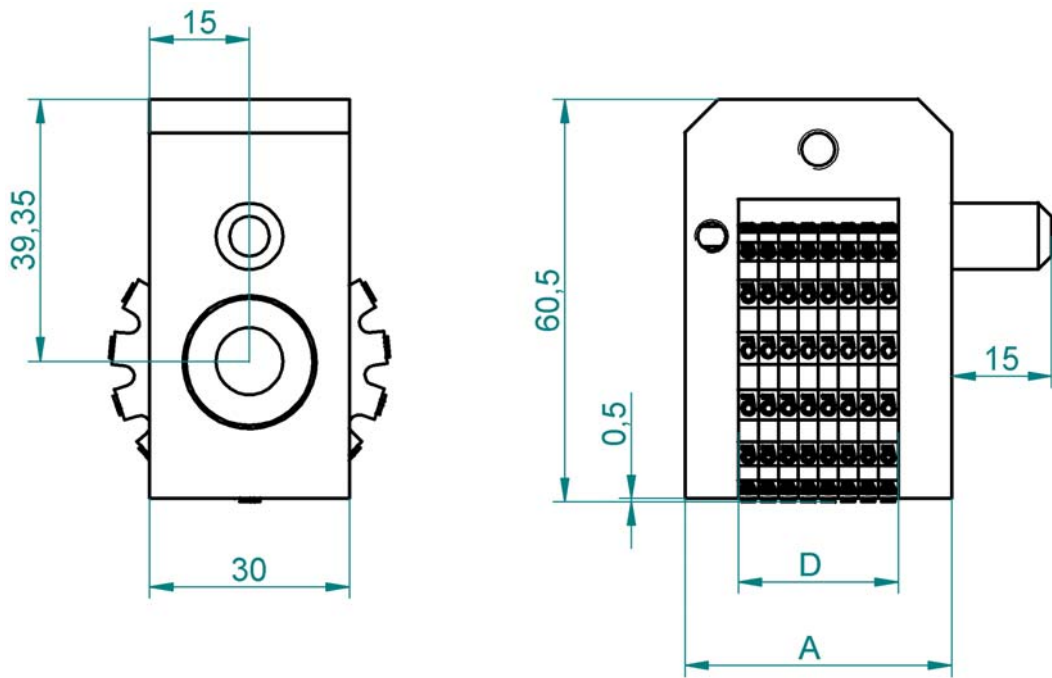
Cage	No. 1	No. 2	No. 3	No. 4	No. 5	No. 6
Dimension A	62	68	75	82	92	105
Dimension B	55	61	68	75	85	98
Dimension C	23	29	36	43	53	66

Dimension of the cage C = marking width D + (≥) 2 mm

	Medium-spaced lettering standard								Semi closed-spaced lettering								close-spaced lettering								Number of marking wheels					
	14 division				11				14 division				11				14 division				11									
Font height	1-1.5	2	2.5	3	4	5	6	8	2	2.5	3	4	5	6	8	2	2.5	3	4	5	6	8	2	2.5	3	4	5	6	8	
Dimension D = marking width	4	5	6	7	9	11	13	17	4	5	6	7	9	11	13	4	4	5	6	7	9	11	4	4	5	6	7	9	11	2
	6.5	8	9.5	11	14	17	20	26	6.5	8	9.5	11	14	17	20	6.5	6.5	8	9.5	11	14	17	6.5	6.5	8	9.5	11	14	17	3
	9	11	13	15	19	23	27	35	9	11	13	15	19	23	27	9	9	11	13	15	19	23	9	9	11	13	15	19	23	4
	11.5	14	16.5	19	24	29	34	44	11.5	14	16.5	19	24	29	34	11.5	11.5	14	16.5	19	24	29	11.5	11.5	14	16.5	19	24	29	5
	14	17	20	23	29	35	41	53	14	17	20	23	29	35	41	14	14	17	20	23	29	35	14	14	17	20	23	29	35	6
	16.5	20	23.5	27	34	41	48	62	16.5	20	23.5	27	34	41	48	16.5	16.5	20	23.5	27	34	41	16.5	16.5	20	23.5	27	34	41	7
	19	23	27	31	39	47	55	19	23	27	31	39	47	55	19	19	23	27	31	39	47	19	19	23	27	31	39	47	8	
	21.5	26	30.5	35	44	53	62	21.5	26	30.5	35	44	53	62	21.5	21.5	26	30.5	35	44	53	21.5	21.5	26	30.5	35	44	53	9	
24	29	34	39	49	59	24	29	34	39	49	59	24	24	29	34	39	49	59	24	24	29	34	39	49	59	10				

Example: A font height of 4 mm in medium-spaced lettering with 5 characters results in a marking width D of 24 mm and therefore cage number 2 must be chosen. (grey highlighted)

MNPW



Cage	No. 1	No. 2
Dimension A	28	40
Dimension D	12	24

	Medium-spaced lettering standard					Semi closed-spaced lettering				close-spaced lettering				Number of marking wheels
	15 division					15 division				15 division				
Font height	1-1.5	2	2.5	3	4	2	2.5	3	4	2	2.5	3	4	
Dimension D = marking width	3	4	5	6	8	3	4	5	6	3	3	4	5	2
	4.5	6	7.5	9	12	4.5	6	7.5	9	4.5	4.5	6	7.5	3
	6	8	10	12	16	6	8	10	12	6	6	8	10	4
	7.5	10	12.5	15	20	7.5	10	12.5	15	7.5	7.5	10	12.5	5
	9	12	15	18	24	9	12	15	18	9	9	12	15	6
	10.5	14	17.5	21		10.5	14	17.5	21	10.5	10.5	14	17.5	7
	12	16	20	24		12	16	20	24	12	12	16	20	8
	13.5	18	22.5			13.5	18	22.5		13.5	13.5	18	22.5	9
15	20				15	20			15	15	20		10	

Example: A font height of 3 mm in medium-spaced lettering with 5 characters results in a marking width D of 15 mm and therefore cage number 2 must be chosen. (grey highlighted)

Technical details are subject to change.